

CERTIFICATION



HACCP International



ISO9001

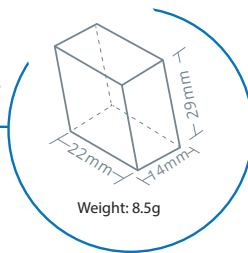
ICE MATE

by  HOSHIZAKI

SRM-200AB-14-B-301SA

ICE MAKER

HALF DICE



ICEMATE is committed to bringing high-efficiency / energy-saving, and high quality ice-making product to people who have dreams and desire to create their own business with the best scientific technology and manufacturing technology.

KEY FEATURES

SAFETY AND HYGIENE ASSURED ICE MACHINE

AUTO-CLEANING



Timely maintenance of water system can extend life of equipment.

PURE ICE



Overflow self-cleaning function, ensuring ice hygiene

IoT



Slow melt Dilution



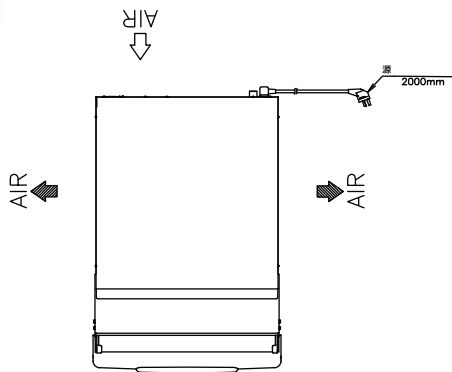
Slow Dilution
Slower melting speed due to -7°C of inside temp of ice cube

Powerful Ice Making

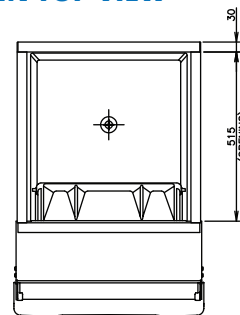


Energy & Water Saving, Quiet Operation





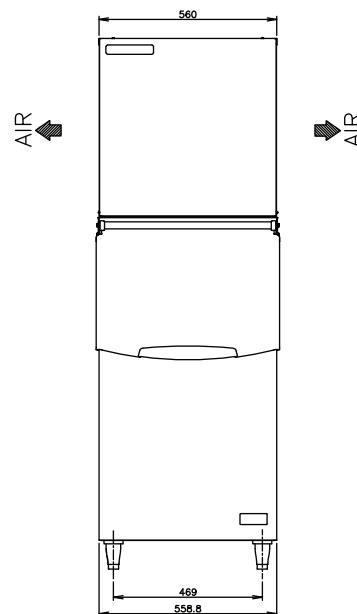
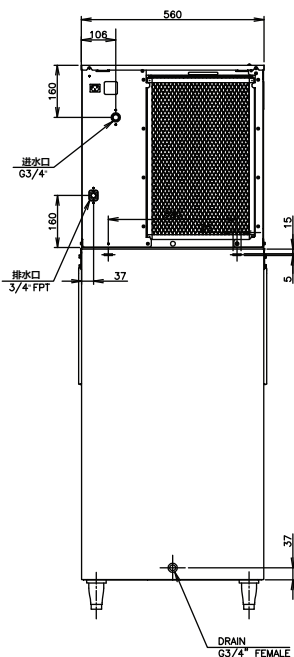
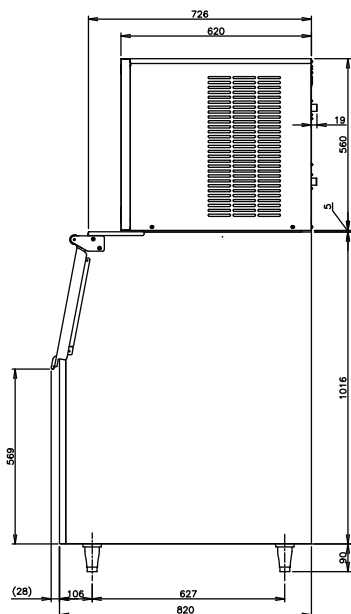
BIN TOP VIEW



RIGHT SIDE

BACK SIDE

FRONT SIDE



SPECIFICATIONS

| | |
|--------------------------------|--|
| Ice Dimensions (W x D x H) | 29 x 14 x 22 mm |
| Outside Dimensions (W x D x H) | 560 x 820 x 1671(~1701)mm |
| Package Dimensions (W x D x H) | Ice Maker: Pallet+Carton: 650 x 710 x 750mm Storage Bin: 655 x 924 x 1138mm |
| Weight (Net / Gross) | Ice Maker: 50kg / 66.5kg Storage Bin: 37kg / 49kg |
| Amperage / Starting Amperage | 5.09A / 22A |
| Electrical Consumption | (AT32°C / WT21°C) 804W |
| Refrigerant Charge | R404A/480g |
| Ice Storage Capacity | Maximum 144 kg |
| Ice Production per 24H | (AT10°C / WT10°C) Approx. 204 kg (AT21°C / WT15°C) Approx. 180 kg (AT32°C / WT21°C) Approx. 140 kg |

| | |
|----------------------------------|---|
| Water Consumption per 24H | (AT32°C/WT21°C) 0.15m ³ (1.1 L / kg Ice) |
| Ice Production Freeze Cycle Time | (AT21°C/WT15°C) 14.3 min |
| Ice Production per Cycle | (AT21°C/WT15°C) Approx. 1.8kg / 220 pcs |

OPERATING CONDITIONS

| | |
|-----------------------|---------------------------------|
| Voltage Range | 198 - 242 V |
| Ambient Temperature | 5 - 38°C |
| Water Supply | 5 - 32°C |
| Water Supply Pressure | 0.07 - 0.55 Mpa (0.7 - 5.5 bar) |
| Supply Voltage | 1/220 - 240V / 50Hz |

